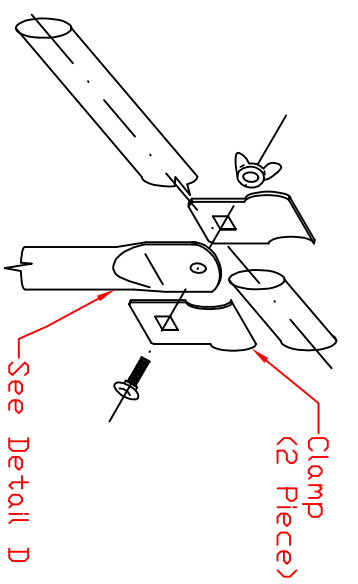
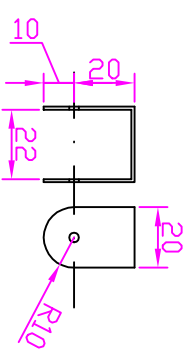


**FRAME STRUCTURE**

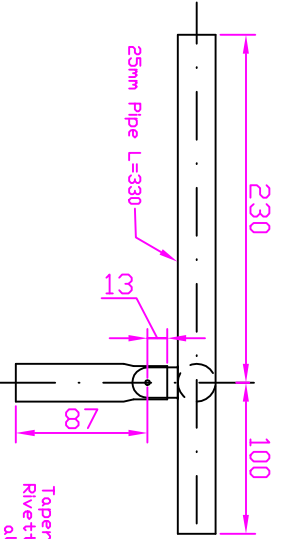
Note:- All Dimensions are in MM unless otherwise mentioned and are used for production reference only.



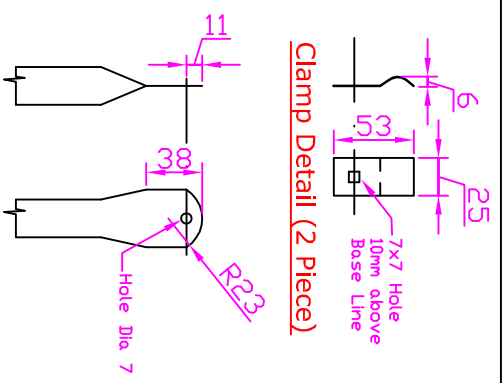
**Joint Detail - A**



**U shape Clamp Details**

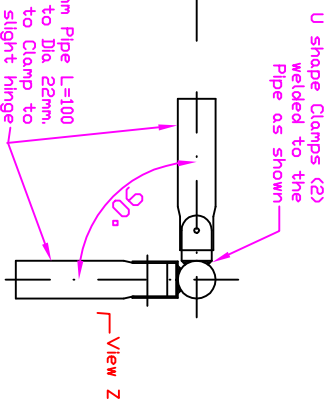


**View - Z Details**



**Clamp Detail (2 Piece)**

**Detail - D  
(Flat pressed pipe end)**



**Joint Detail - B**

(Left shown Right symmetrical)

02L - HINGED CORNER	=1X25mm
02R - HINGED CORNER	=1X25mm
04 - 2'-0" (610mm)	=1X25mm
00 - (762mm) with Round Clamp	=2X25mm
06 - 3'-4" (1016mm)	=7X25mm
08 - 3'-4" (1016mm) SLIDER	=7X22mm
T - TENSION CLAMP	=7
P - PRESSURE PADS	=2
G - GROUND FITTING	=4

Checked	Siesta Leisure Products Ltd. Ivy Mill, Lorne Street, Farmworth Bolton, BL47LW, UK
Date:	20/11/02
Size:	A4
Scale:	1:1
Title:	PERCH TENT (Frame Structure)
Dwg. No.:	SLP/PA/1
Sheet:	6/6
Rev:	